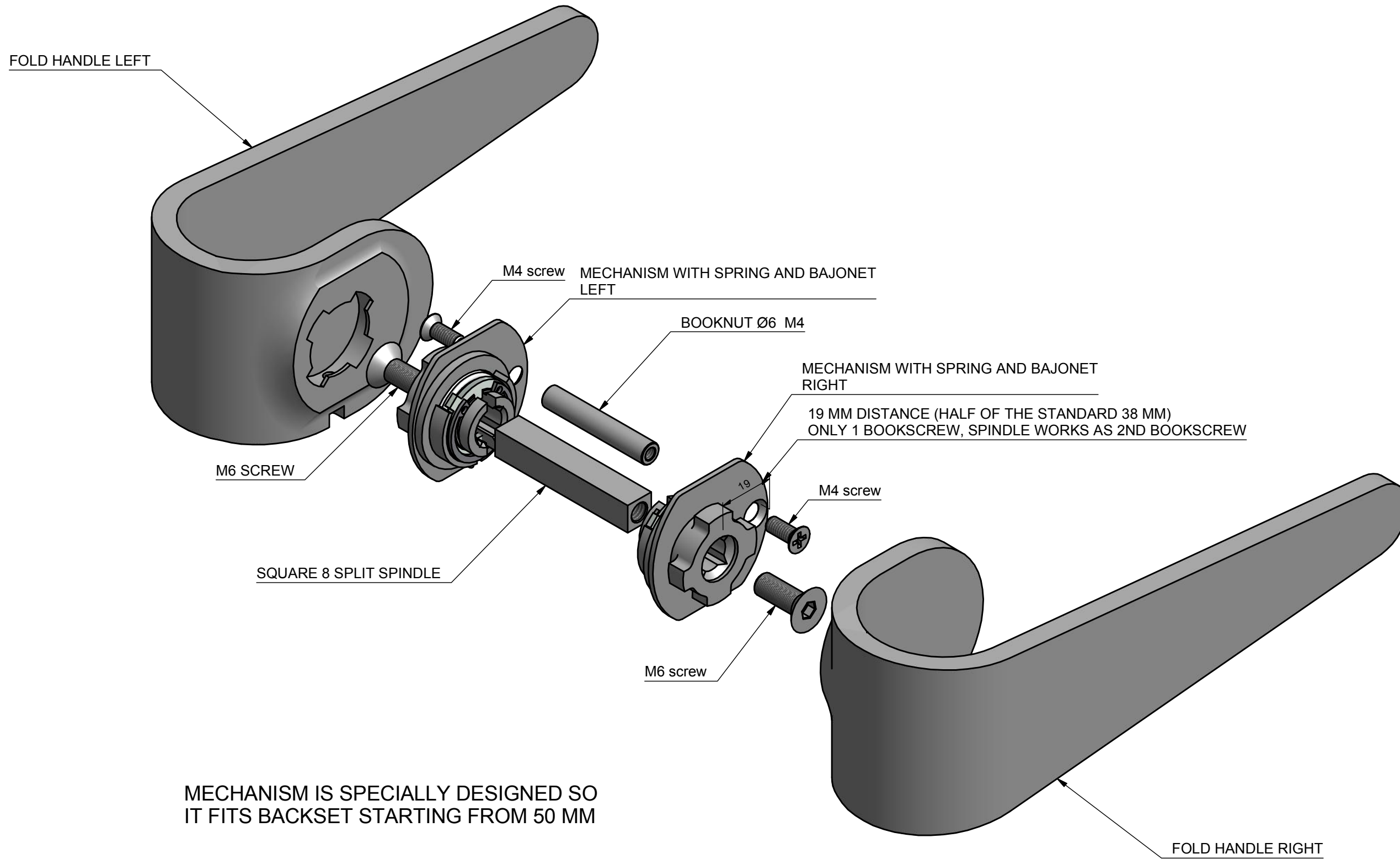


## FOLD TB100 deurkruk geveerd/verborgen rozet rvs PR



Productgroep:	deurkrukken
Collectie:	FOLD by TORD BOONTJE
Designer:	Tord Boontje
Finish:	mat roestvast staal
Prijs excl./incl. Btw:	€ 198.45 / € 240.12
Basiseenheid:	paar
Articlecode:	2901D001INXX0

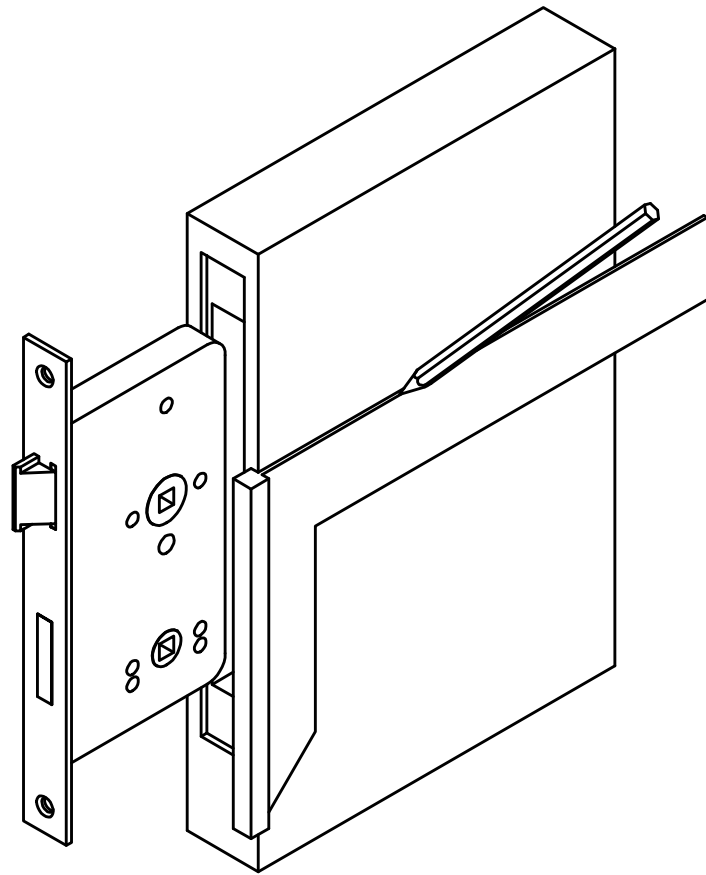
# TB100 detailed view



FORMANI®		Part number:	
		Description:	
Doc no.:	2901D001 TB100 DETAILED VIEW V02.dwg	Format:	
Drawn by:	Christian	Creation date:	31-1-2013
		TB100 detailed view	
		A3	
Formani Holland B.V. · Amerikalaan 55 · 6199 AE Maastricht Airport · tel: +31 (0)43 308 90 00 · www.formani.nl · info@formani.nl			

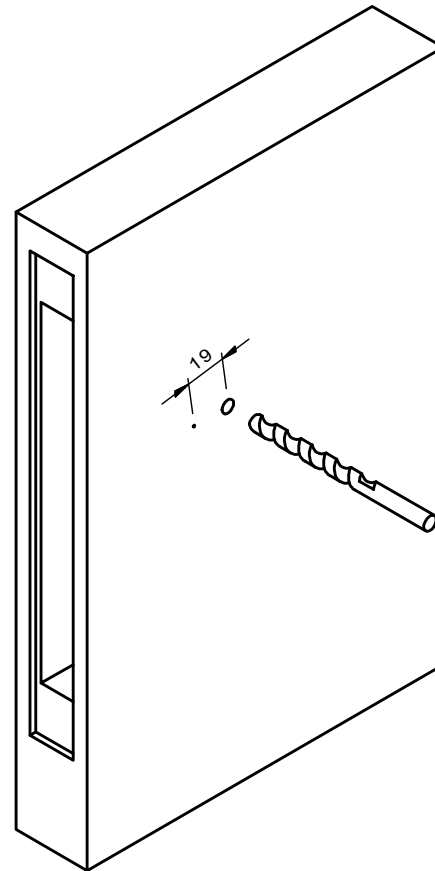
INDICATE THE EXACT POSITION  
OF THE CENTER OF THE SQUARE HOLE  
AND ON 19 MM OF SQUARE HOLE

ON BOTH SIDES



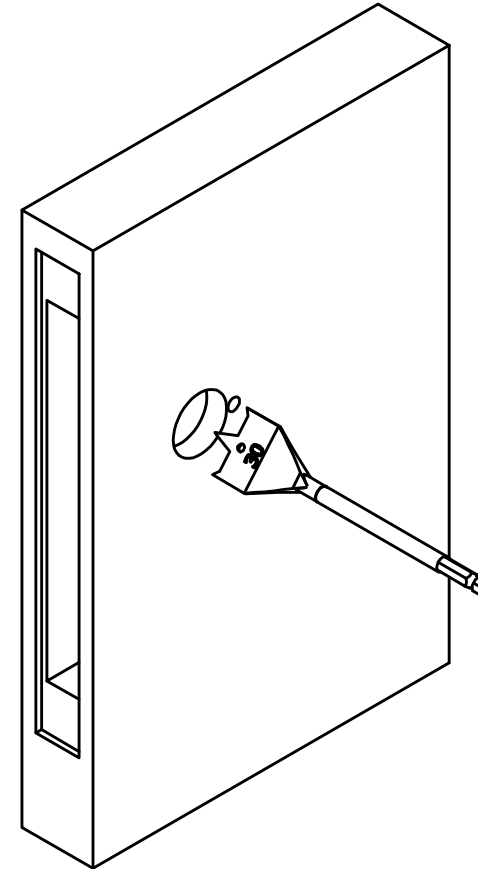
DRILL HOLE OF Ø 6.5  
ON 19 MM OF CENTER OF SQUARE HOLE

ON BOTH SIDES



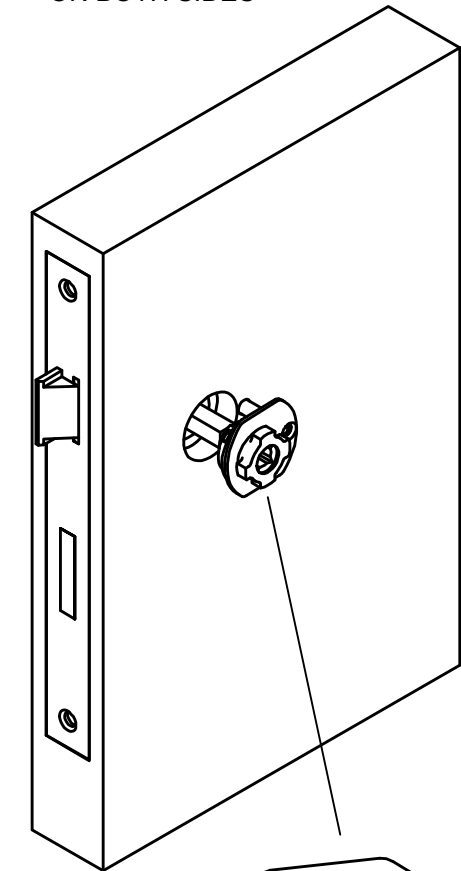
DRILL HOLE OF □ 30  
ON CENTER OF SQUARE HOLE

ON BOTH SIDES



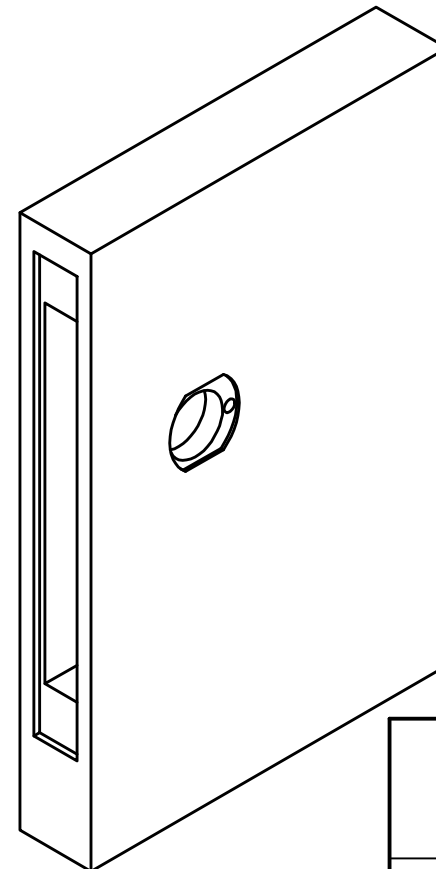
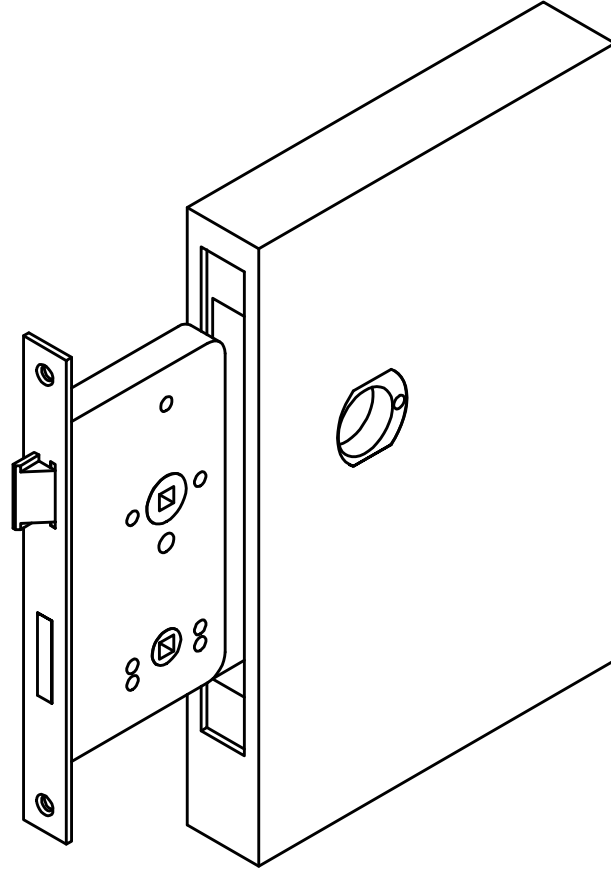
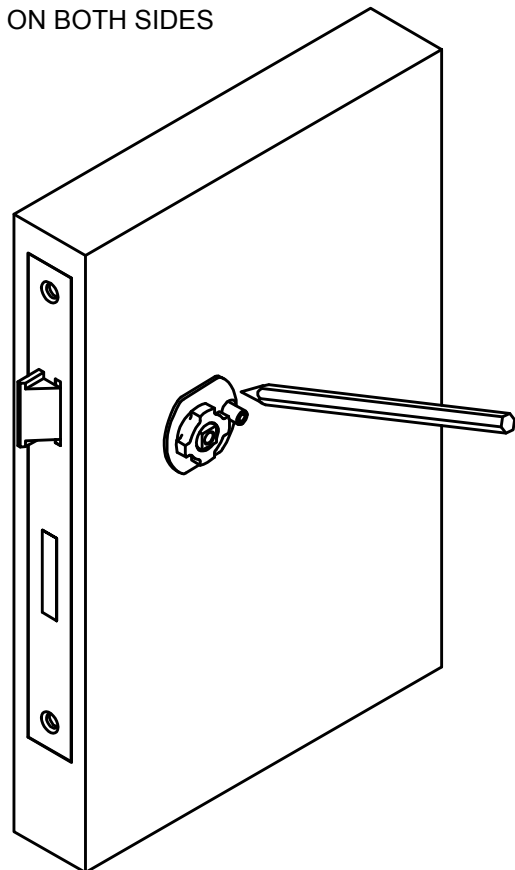
MOUNT LOCK  
PUT SPINDLE AND AXE IN THE LOCK  
SLIDE THE MECHANISM  
(HOLE IS POSITIONED AT THE BOTTOM)

ON BOTH SIDES



MARK EXACT SHAPE OF MECHANISM  
ON BOTH SIDES

TAKE OUT THE LOCK



THE MECHANISM HAS A HOLE  
AT THE BOTTOM

MILL CHAMBER, DEEPNESS 1.4 MM  
WITH A ROUTER BIT □ 6 MM

FORMANI®

Part number:

Description:

Format:

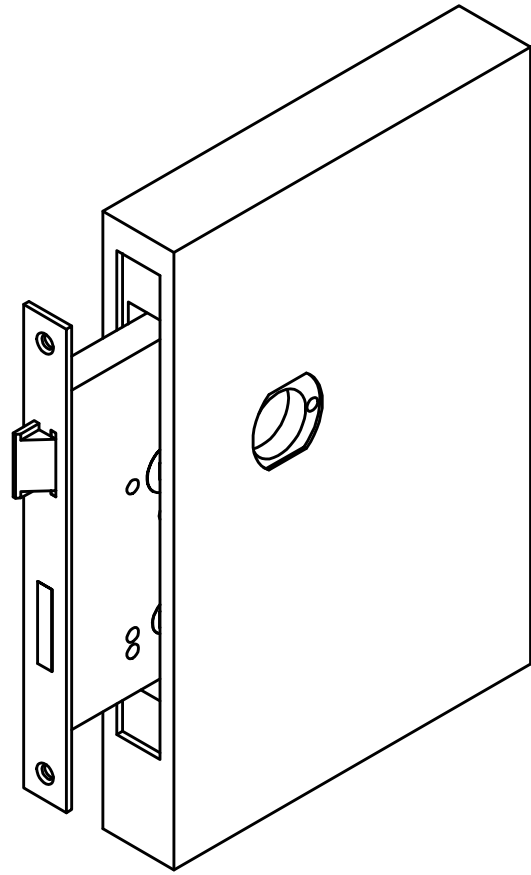
Doc no.: FOLD MILLING STEPS V20130222.dwg

Drawn by: Christian

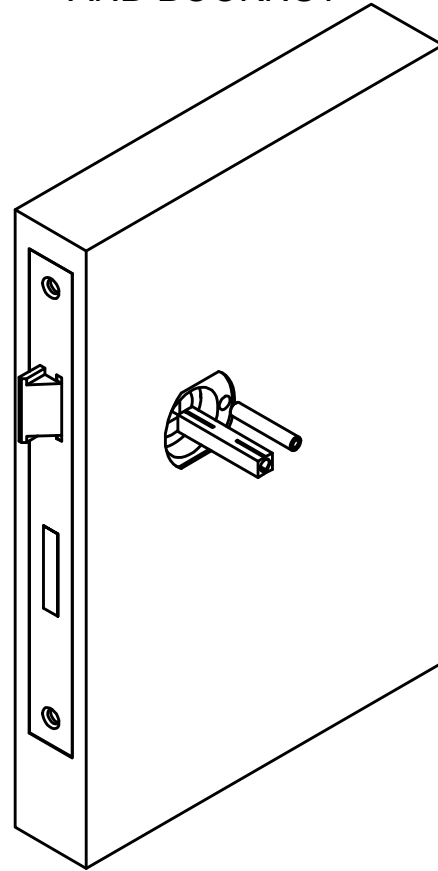
Creation date: 22-2-2013

A3

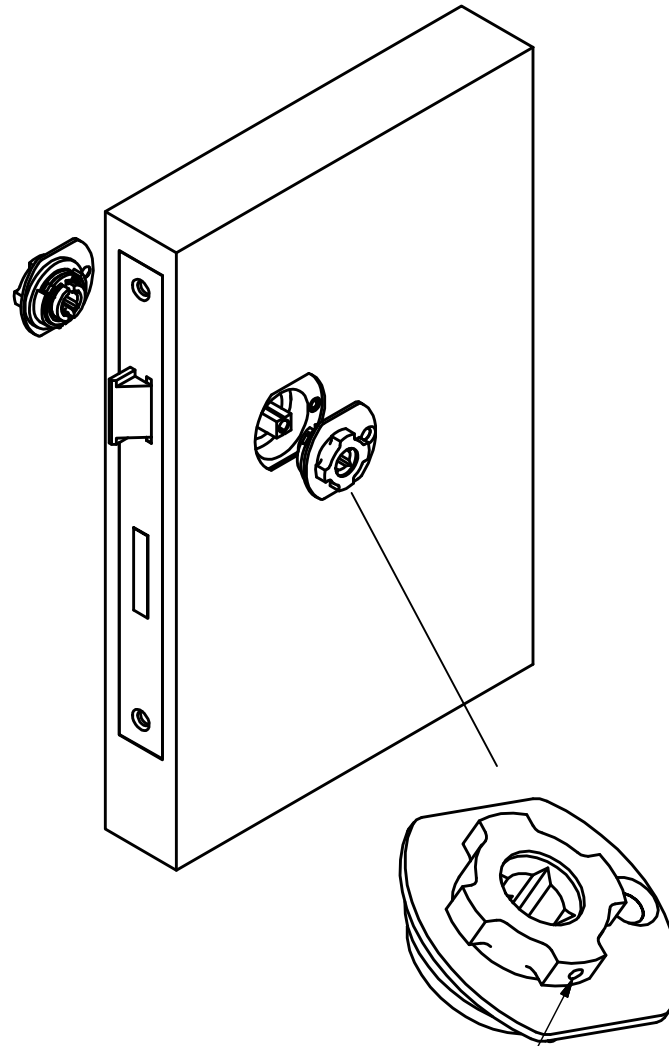
MOUNT THE LOCK



MOUNT THE SPINDLE AND BOOKNUT

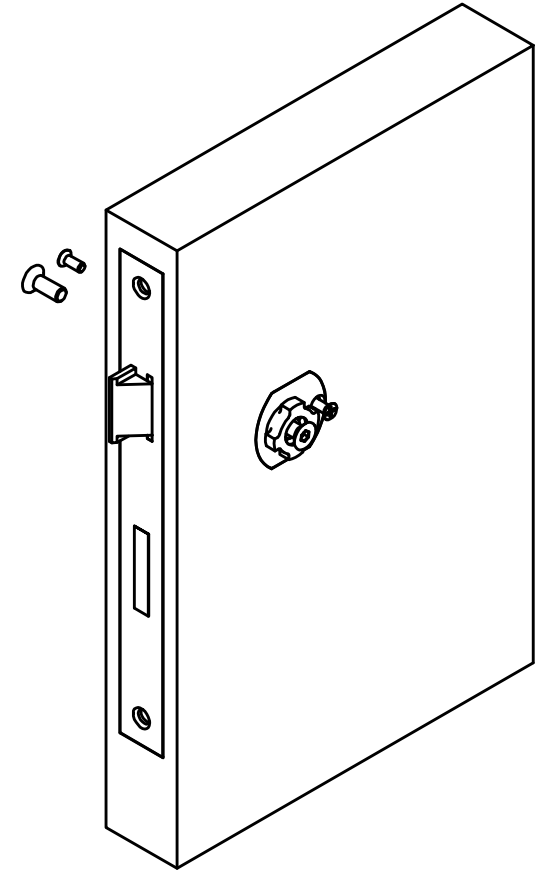


MOUNT THE MECHANISM

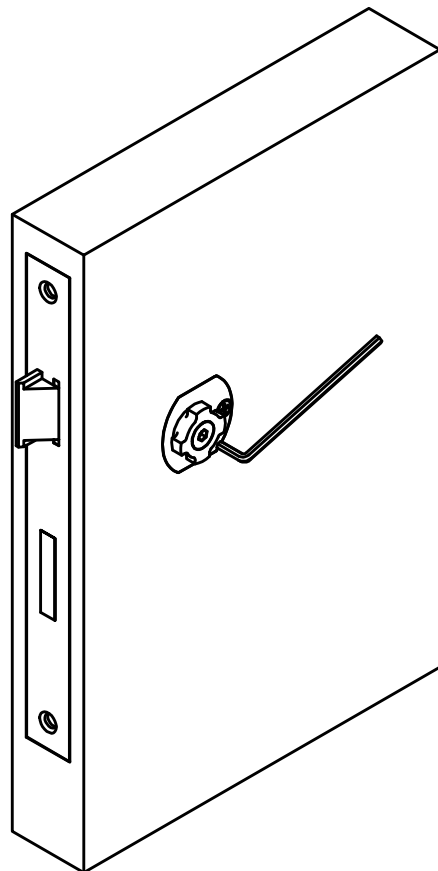


THE MECHANISM HAS A HOLE AT THE BOTTOM

TIGHTEN THE SCREWS



ADJUST THE MECHANISM UNTIGHTEN IF NECESSARY



FORMANI®

Part number:

Description:

Format:

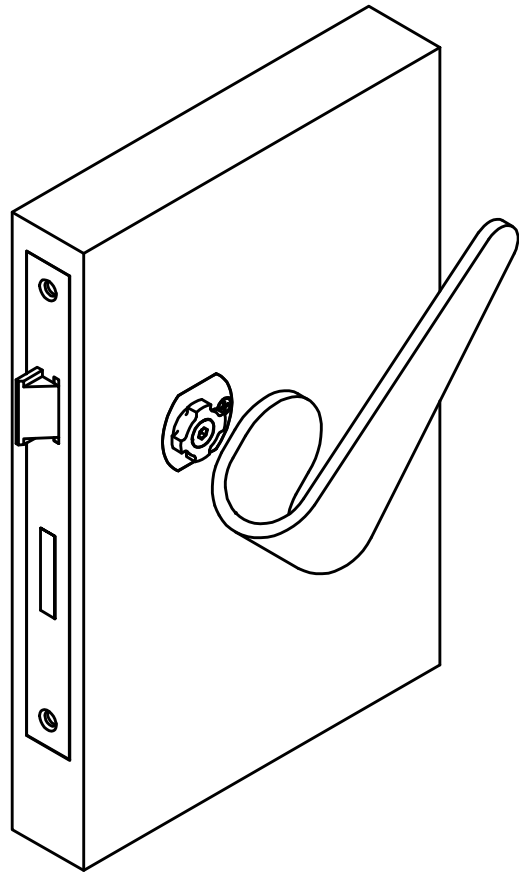
Doc no.: FOLD MOUNTING STEPS MECHANISM V01.dwg

Drawn by: Christian

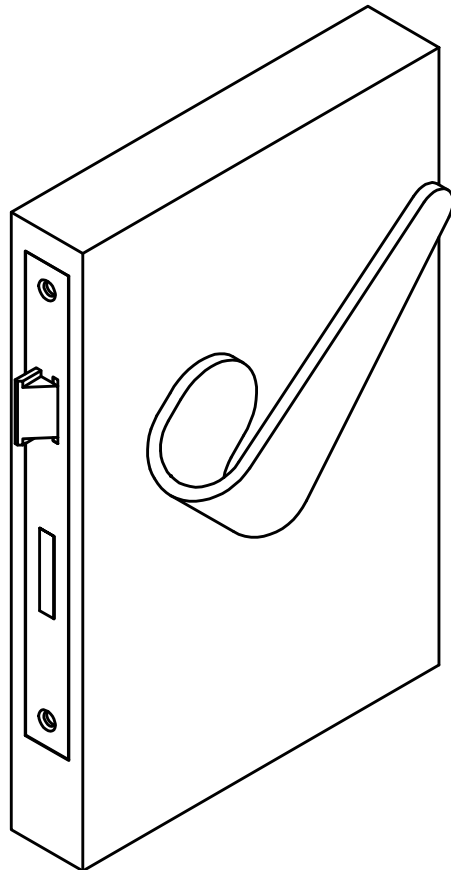
Creation date: 31-1-2013

A3

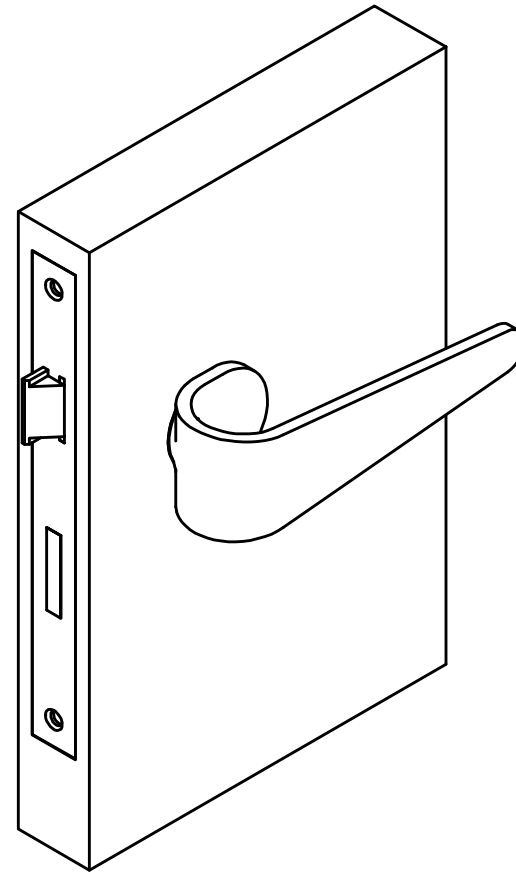
POSITION HANDLE  
ON 45°



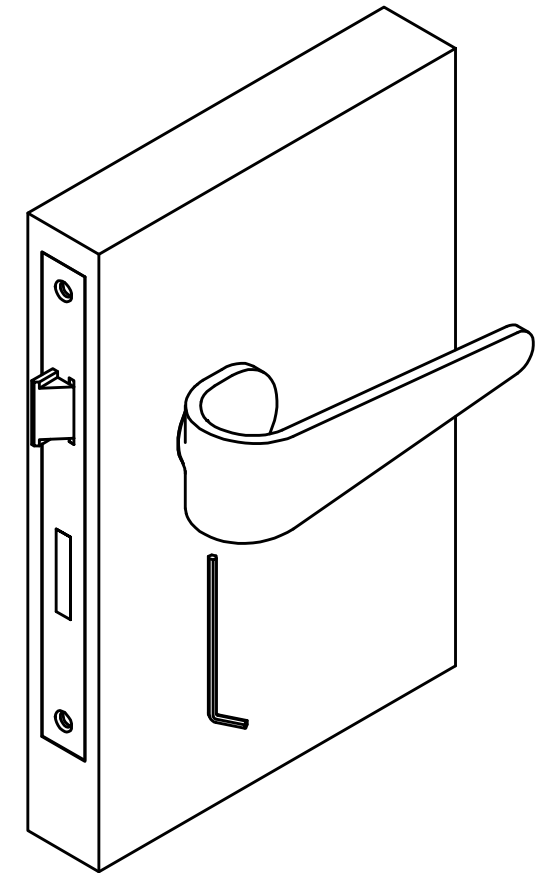
POSITION HANDLE  
ON MECHANISM/BAJONET



TURN THE HANDLE  
ON THE MECHANISM/BAJONET



LOCK WITH THE  
GRUB SCREW



FORMANI®

Part number:

Doc no.: FOLD MOUNTING STEPS HANDLE V01.dwg

Description:

Format:

Drawn by: Christian

Creation date: 31-1-2013

A3